
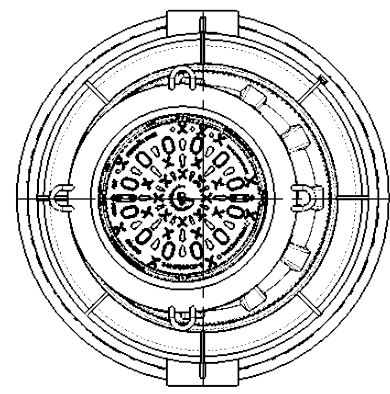
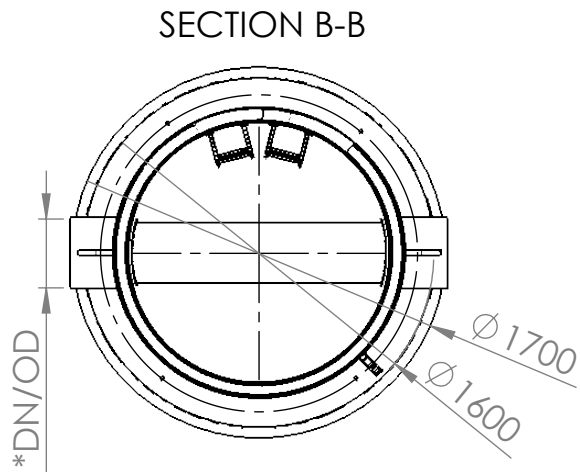
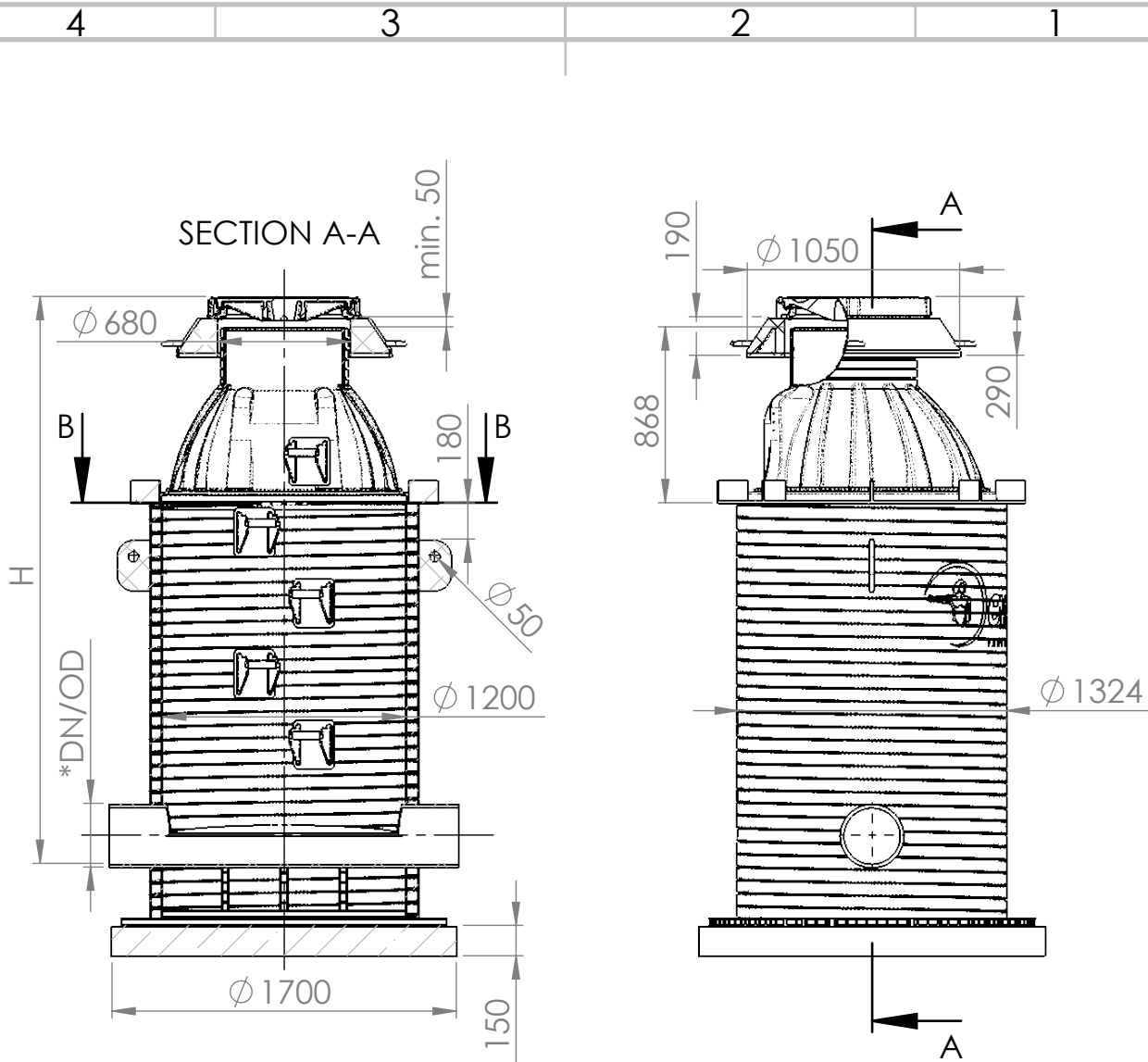


Self-leveling type cover:
EN 124-2 (D400/40t), RAL-GZ692


*DN/OD - 110, 160, 200, 250, 315, 400 mm
DN/ID - 300, 400, 500, 600 mm

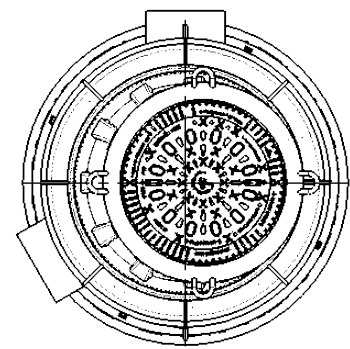
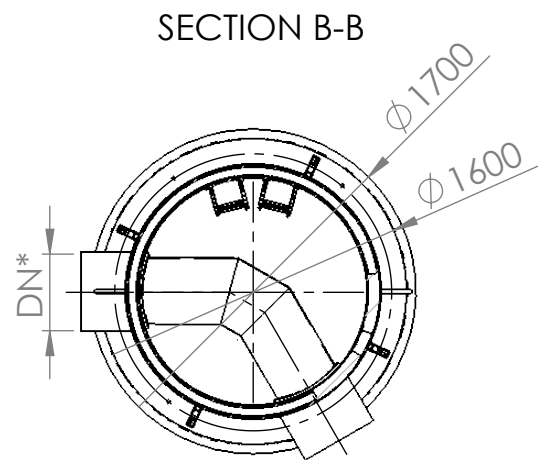
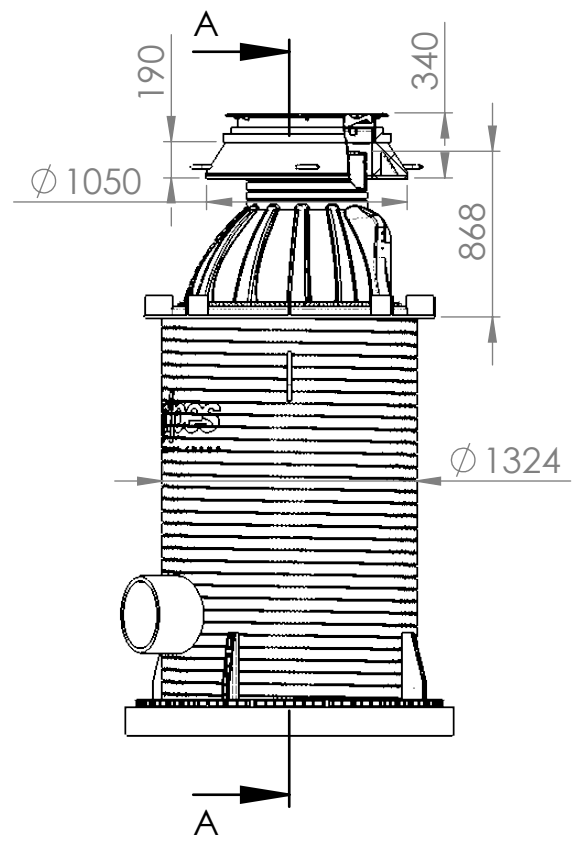
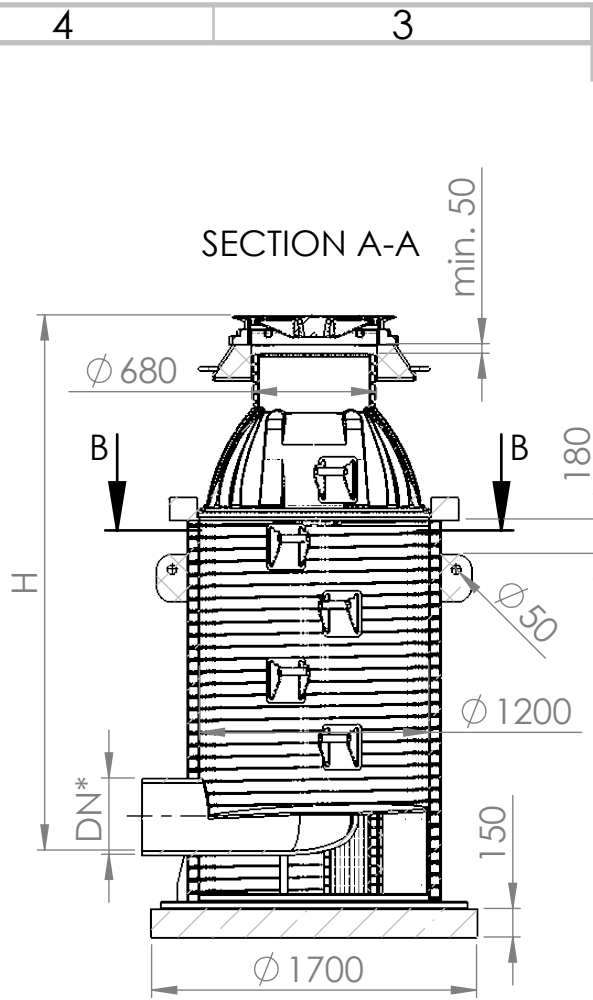
DRAWN	SIGNATURE	DATE	FORMAT A4	SCALE	 Langervaldes iela 2a, Jelgava, LV-3002, Latvia, Reg. No.: 50003728871	Phone: +371 63094300 E-mail: info@evopipes.lv Web: www.evopipes.lv
APPROVED BY			ORDER No.	PAGE 1 / 1		
DRAWING No. DN_1200_620_TT_SL				REVISION 0	PRODUCT GIGA chamber DN 1200 mm	
Unless specified otherwise: dimensions are in millimeters do not scale the drawing					CUSTOMER	
				This drawing is the property of SIA Evopipes and is protected by a law. This document must not be copied or disclosed to third parties without permission.		



Stationary type cover:
EN 124-2 (D400/40t), RAL-GZ692


*DN/OD - 110, 160, 200, 250, 315, 400 mm
DN/ID - 300, 400, 500, 600 mm

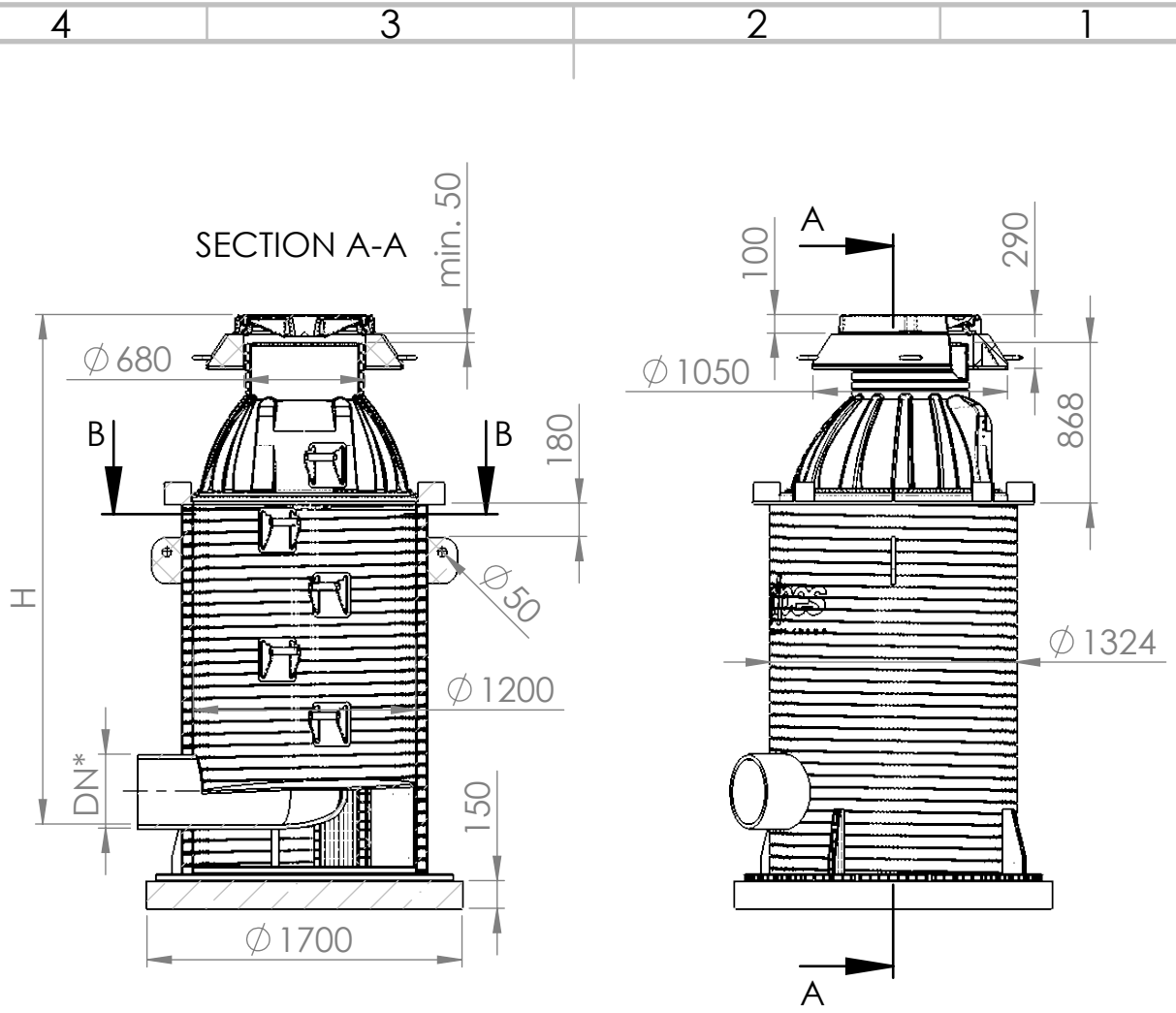
DRAWN	SIGNATURE	DATE	FORMAT A4	SCALE	 Langervaldes iela 2a, Jelgava, LV-3002, Latvia, Reg. No.: 50003728871	Phone: +371 63094300 E-mail: info@evopipes.lv Web: www.evopipes.lv
APPROVED BY			ORDER No.	PAGE 1 / 1		
DRAWING No. DN_1200_620_TT_S				REVISION 0	PRODUCT GIGA chamber DN 1200 mm	
Unless specified otherwise: dimensions are in millimeters do not scale the drawing				CUSTOMER	This drawing is the property of SIA Evopipes and is protected by a law. This document must not be copied or disclosed to third parties without permission.	



Self-leveling type cover:
EN 124-2 (D400/40t), RAL-GZ692


*DN/OD - 110, 160, 200, 250, 315, 400 mm
DN/ID - 300, 400, 500

DRAWN	SIGNATURE	DATE	FORMAT A4	SCALE	 Langervaldes iela 2a, Jelgava, LV-3002, Latvia, Reg. No.: 50003728871 Phone: +371 63094300 E-mail: info@evopipes.lv Web: www.evopipes.lv
APPROVED BY			ORDER No.	PAGE 1 / 1	
DRAWING No. DN_1200_620_TL_SL				REVISION 0	CUSTOMER GIGA chamber DN 1200 mm
Unless specified otherwise: dimensions are in millimeters do not scale the drawing				This drawing is the property of SIA Evopipes and is protected by a law. This document must not be copied or disclosed to third parties without permission.	



Stationary type cover:
EN 124-2 (D400/40t), RAL-GZ692

*DN/OD - 110, 160, 200, 250, 315, 400 mm
DN/ID - 300, 400, 500

DRAWN	SIGNATURE	DATE	FORMAT A4	SCALE	 Langervaldes iela 2a, Jelgava, LV-3002, Latvia, Reg. No.: 50003728871	Phone: +371 63094300 E-mail: info@evopipes.lv Web: www.evopipes.lv
APPROVED BY			ORDER No.	PAGE 1 / 1		
DRAWING No. DN_1200_620_TL_S				REVISION 0	CUSTOMER	
Unless specified otherwise: dimensions are in millimeters do not scale the drawing				This drawing is the property of SIA Evopipes and is protected by a law. This document must not be copied or disclosed to third parties without permission.		