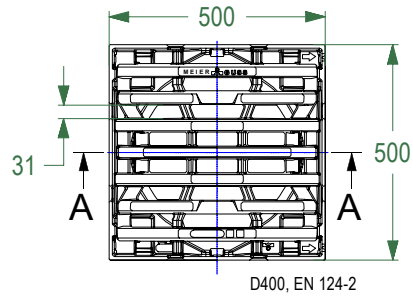
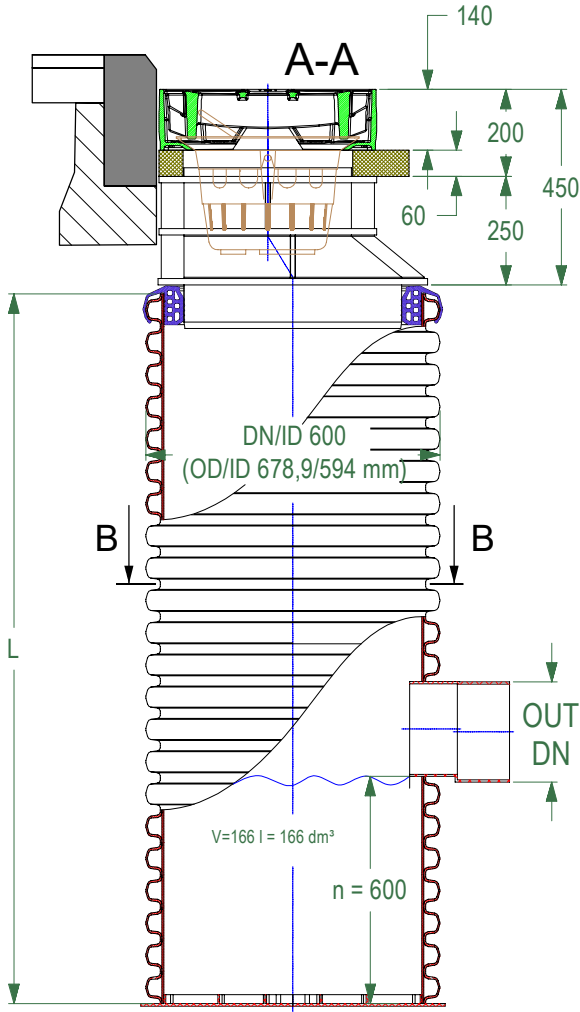


DN600-500x500.PR.PIPE

DRAWING No.:	VERSION	REVISION	REVISION STATUS
EN.DN600-500x500.PR.PIPE	EN	1	ACTUAL

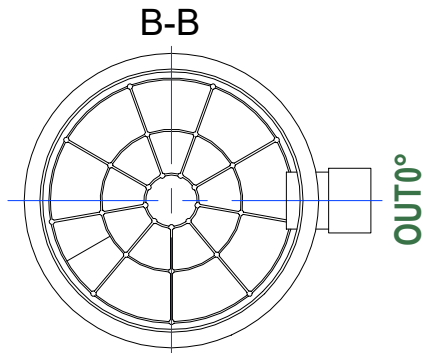
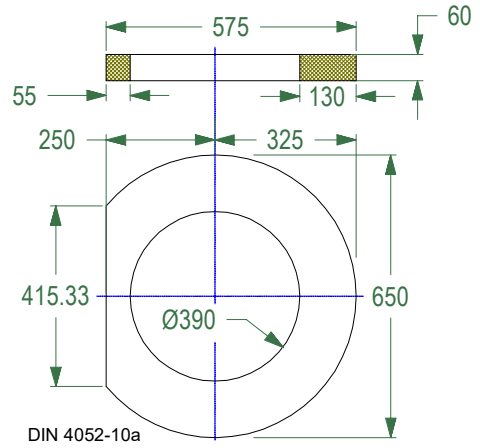
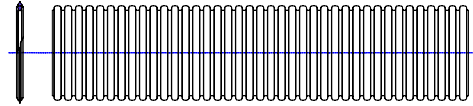


Waterway area: 949 cm²

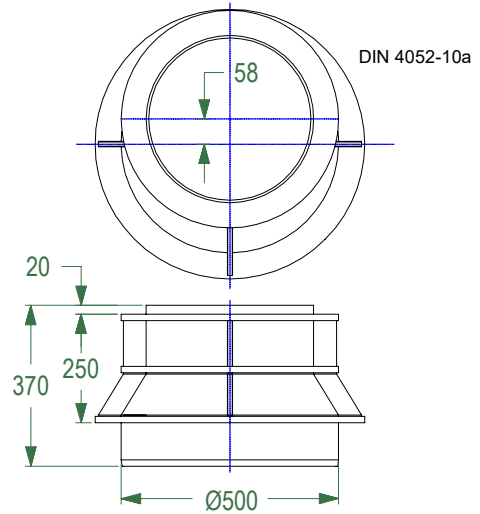
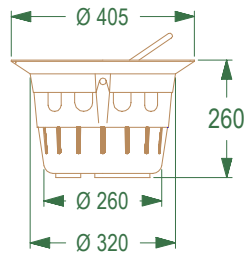
Water inlet throughput at precipitation layer height:

- H=10 mm - 25 l/s
- H=20 mm - 35 l/s
- H=30 mm - 43 l/s
- H=50 mm - 56 l/s

DN/OD, EN 13476-3
DN/ID, EN 13476-3



DN110, 160, 200 mm



This drawing is the property of SIA Evopipes and is protected by law.



SIA "EVOPIPES"
Langervaldes str. 2a, Jelgava, LV-3002, Latvia
Company reg. No.: 50003728871
Phone: +371 63094300
E-mail: info@evopipes.lv
Website: www.evopipes.lv

FILE NAME:
EN.DN600-500x500.PR.PIPE

SHEET: 1 OF 1

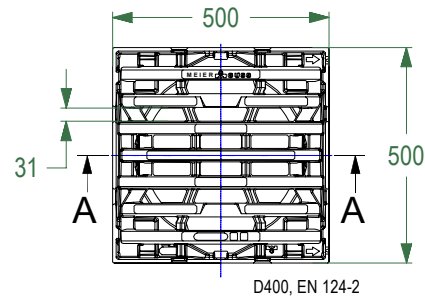
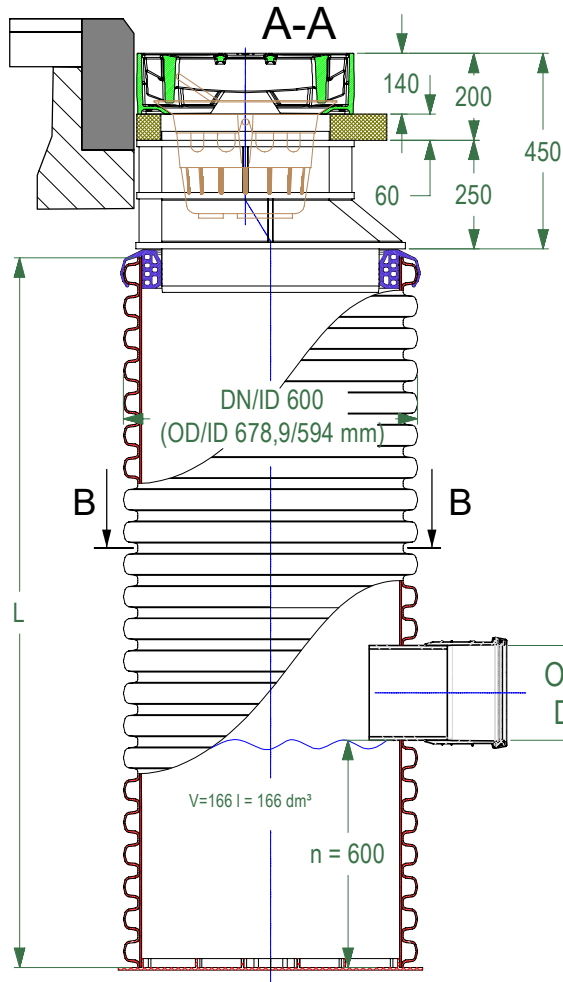
SHEET FORMAT: @ A4

SCALE:
WITHOUT SCALE

STAGE:
STANDARD DRAWING

DN600-500x500.SM.PIPE

DRAWING No.:	VERSION	REVISION	REVISION STATUS
EN.DN600-500x500.Road.gully	EN	1	ACTUAL



Waterway area: 949 cm²

Water inlet throughput at precipitation layer height:

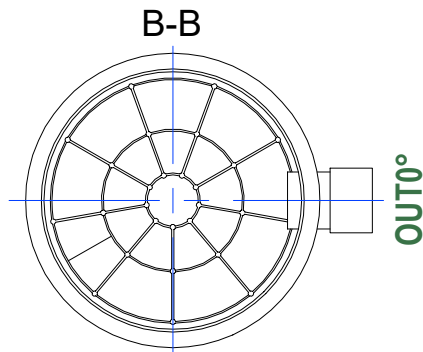
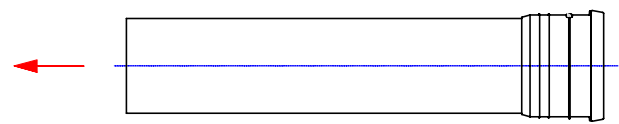
H=10 mm - 25 l/s

H=20 mm - 35 l/s

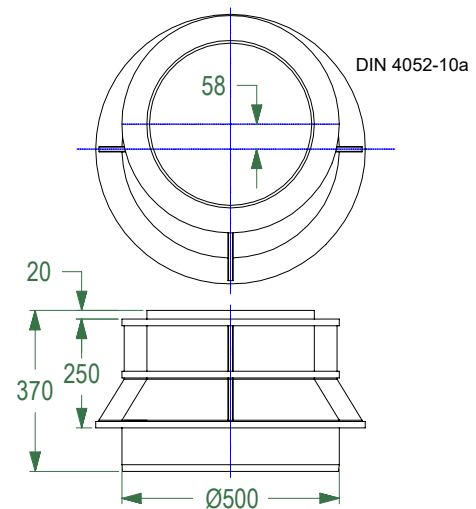
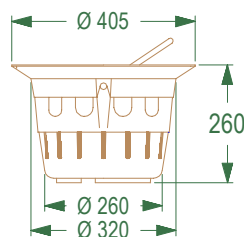
H=30 mm - 43 l/s

H=50 mm - 56 l/s

DN/OD, EN 13476-2,
EN 1852-1, EN 14758-1



DN110, 160, 200 mm



This drawing is the property of SIA Evopipes and is protected by law.



SIA "EVOPIPES"
 Langervaldes str. 2a, Jelgava, LV-3002, Latvia
 Company reg. No.: 50003728871
 Phone: +371 63094300
 E-mail: info@evopipes.lv
 Website: www.evopipes.lv

FILE NAME:
 EN.DN600-500x500.Road.gully

SHEET: 1 OF 1

SHEET FORMAT: @ A4

SCALE:
 WITHOUT SCALE

STAGE:
 STANDARD DRAWING